



 **PILE
CRITTER**

DTH PRODUCT CATALOGUE

TABLE OF CONTENTS



ABOUT US

Introducing Pile Critter	5
--------------------------------	---

WT SERIES

WT3 Hammer	7
WT3A Hammer	8
WT4 Hammer	9
WT5A Hammer	10
WT6 Hammer	11
WT8 Hammer	12

2-3" DTH HAMMERS

WBR2 Hammer	14
WD30R Hammer	15
WBR3 Hammer	16

4" DTH HAMMERS

WD40R Hammer	18
WTD40 Hammer	19
WM40 Hammer	20
WM40B Hammer	21
WM40SD Hammer	22

5" DTH HAMMERS

WD50R Hammer	25
WQL50R Hammer	26
WM50 Hammer	27
WM50SD Hammer	28

6" DTH HAMMERS

WD60R Hammer	30
WSD6R Hammer	31
WQL60R Hammer	32
WQL60RD Hammer	33
WM60B Hammer	34
WM60CSD Hammer	35

8" DTH HAMMERS

WD80R Hammer	37
WSD80R Hammer	38
WQL80R Hammer	39
WM80 Hammer	40
WM80SD Hammer	41

10" DTH HAMMERS

WSD10R Hammer	43
WNM100R Hammer	44

12" DTH HAMMERS

WSD12AR Hammer	46
WNM120R Hammer	47

TABLE OF CONTENTS



CHOOSING THE RIGHT DTH BITS

Face options	49
Button options	50

WT SHANK SERIES

WT3 Shank Bit	51
WT4 Shank Bit	51
WT5 Shank Bit	51
WT6 Shank Bit	52
WT8 Shank Bit	52

DHD SHANK SERIES

DHD3.5 Shank Bit	53
DHD340 Shank Bit	53
DHD350 Shank Bit	53
DHD360 Shank Bit	54
DHD380 Shank Bit	54
DHD112 Shank Bit	54

SD SHANK SERIES

SD6 Shank Bit	55
SD8 Shank Bit	55
SD10 Shank Bit	56
SD12 Shank Bit	56

QL SHANK SERIES

QL50 Shank Bit	57
QL60 Shank Bit	57
QL80 Shank Bit	57

NUMA TYPE SHANK SERIES

NUMA100 Shank Bit	58
NUMA120 Shank Bit	58
NUMA125 Shank Bit	58

MISSION TYPE SHANK SERIES

MISSION40 Shank Bit	59
MISSION50Shank Bit	59
MISSION60 Shank Bit	60
MISSION80 Shank Bit	60

BR SHANK SERIES

BR1 Shank Bit	61
BR2 Shank Bit	61
BR3 Shank Bit	61

OTHER SHANK SERIES

COP32 Shank Bit	62
COP34 Shank Bit	62
MD3.5 Shank Bit	62
COPROD89 Shank Bit	63
TD40QLX40 Shank Bit	63

CONTACTS

Team contact info	66
-------------------------	----

COMPANY

Founded in 2022, PileCrittter is a swiftly growing company in the European drilling market. Our team, though small, is rich in diversity and expertise, encompassing a range of roles from strategic leadership to market-specific business development. Fluent in multiple languages, our team is well-equipped to cater to various European markets. Together, our mission is rooted in delivering value through reliable, high-performance tools essential for construction and civil engineering.

At PileCrittter, we're driven by a relentless dedication to our customers, aiming to be the cornerstone of Europe's drilling industry. Our vision encompasses not just supplying tools but fostering growth and progress in every project we touch. We're focused on enhancing our services by developing rapid response teams, further decreasing dispatch times, and expanding our product catalogue. Join us in redefining drilling industry standards with solutions that speak of quality, efficiency, and innovation!

EU HUB

Focusing on local stock within Europe, PileCrittter has significantly reduced delivery times and improved service dependability for our European clients. This strategic move underscores our dedication to addressing the unique requirements of the European market and strengthening our position in the region.

BESPOKE SERVICE

We are eager to take on special requests, ensuring clients receive precisely what they need for their projects. We specialize in understanding unique requirements and leveraging an extensive product range to fulfill even the most specific demands. With a focus on customization and adaptability, our team is committed to turning special requests into reality, offering solutions that are not just satisfactory, but perfectly aligned with each client's unique business needs.



DTH HAMMERS

PileCritter offers a comprehensive range of DTH hammers from 2 inch to 12 inch which can drill holes from 4 mm (2 1/2") to 445 mm (17 7/15"). The hammers can not only work with our own-designed WT shank bit, but also the bits with the most popular shanks like DHD, COP, SD, QL, MISSION, NUMA, BR, and TD in the market.

The world-class DTH hammers are produced adopting fine alloy steel and applying hardening treatment on the spare parts, which prolongs the hammer's lifetime and can stand up to the harshest of conditions.

WT3 HAMMER

ITEM DESCRIPTION	WEIGHT		PART. NO.
	KG	LB	
1. Top Sub	4.5	9.92	WT3-1
2. Check Valve	0.35	0.77	WT3-3
3. Spring	0.02	0.04	WT3-4
4. Air Distributor	0.8	1.76	WT3-5
5. O-ring	0.01	0.02	45x2.65/gb3452.1
6. Inner Cylinder	1.4	3.08	WT3-6
7. Piston	4.59	10.12	WT3-7
8. Wear Sleeve	6.75	14.88	WT3-8
9. Guide Sleeve	1.7	3.74	WT3-10
10. Bit Retainer	0.35	0.77	WT3-11
11. Chuck	1.8	3.97	WT3-12
Seal Kit 05x2	Rebuild Kit 01x1 08x1 11x1 Seal Kit		



BIT SPECIFICATION		
No. of Spines	6	
L (mm)	130	
L (inch)	5.12	
Bit Shank	WT3	
Bit Diameter (mm)	Ø90 - Ø105	
Bit Diameter (inch)	3 1/2 - 4 1/8	

SPECIFICATIONS	METRIC	IMPERIAL
Hammer length without bit	724.8 mm	28.54 in
Weight without bit	22.27 kg	49.1lb
Outside diameter of the hammer	Ø80 mm	3.14 in
Top sub thread	API 2 3/8" REG PIN	
Working air pressure range	10-25 bar/145-363 psi	
Recommended rotary speed	30-60 r/min	
Impact rate at 17 bar	40 Hz	
Air consumption	268 cfm @ 246.6 psi	7.5 m3/min @ 17 bar
	393 cfm @ 348 psi	11 m3/min @ 24 bar

WT3A HAMMER



ITEM DESCRIPTION	WEIGHT		PART. NO.
	KG	LB	
1. Top Sub	4.5	9.90	WT3A-01
2. O-Ring	0.01	0.02	65X2.65 GB3452.1
3. Check Valve	0.35	0.77	WD30R-5
4. Bear Ring	0.02	0.04	WD30R-4
5. Spring	0.02	0.04	WD30-4
6. O-ring	0.01	0.02	45X2.65 GB3452.1
7. Air Distributor	0.8	1.766	WT3A-02
8. Inner Cylinder	1.4	3.08	WT3-6
9. Piston	4.45	9.79	WT3-7
10. Wear Sleeve	6.75	14.85	WT3A-03
11. Guide Sleeve	1.7	3.74	WT3-10
12. Bit Retainer	0.35	0.77	WT3-11
13. Chuck	1.8	3.96	WT3-12
Seal Kit 02x1 06x1	Rebuild Kit 01x1 10x1 13x1 Seal Kit		

BIT SPECIFICATION		
No. of Spines	6	
L (mm)	130	
L (inch)	5.12	
Bit Shank	WT3	
Bit Diameter (mm)	Ø90 - Ø105	
Bit Diameter (inch)	3 1/2 - 4 1/8	

SPECIFICATIONS	METRIC	IMPERIAL
Hammer length without bit	813 mm	32 in
Weight without bit	22.16 kg	48.85 lb
Outside diameter of the hammer	Ø80 mm	3.15 in
Top sub thread	API 3/8" REG PIN	
Working air pressure range	10-25 bar / 145-363 psi	
Recommended rotary speed	30-60 r/min	
Impact rate at 17 bar	40 Hz	
Air consumption	250 cfm @ 246.6 psi	7 m3/min @ 17 bar
	383 cfm @ 348 psi	10 m3/min @ 24 bar

WT4 HAMMER

ITEM DESCRIPTION	WEIGHT		PART. NO.
	KG	LB	
1. Top Sub	7.04	15.52	WT4-1
2. Bear Ring	0.3	0.66	WT4-13
3. Check Valve	0.35	0.5	WT4-2
4. Spring	0.02	0.02	WT4-3
5. Air Distributor	1.31	2.89	WT4-4
6. O-ring	0.01	0.02	60X3.1/GB3452.1
7. Inner Cylinder	1.5	3.31	WT4-6
8. Piston	6.43	14.18	WT4-7
9. Wear Sleeve	10.17	22.42	WT4-8
10. Guide Sleeve	1.7	3.72	WT4-10
11. Bit Retainer	0.43	0.95	WT4-11
12. Chuck	2.85	6.28	WT4-12
Seal Kit 06x2	Rebuild Kit 01x1 09x1 1x1 Seal Kit		



BIT SPECIFICATION		
No. of Spines	8	
L (mm)	14	
L (inch)	5.59	
Bit Shank	WT4	
Bit Diameter (mm)	Ø108 - Ø135	
Bit Diameter (inch)	4 1/4 - 5 1/4	

SPECIFICATIONS	METRIC	IMPERIAL
Hammer length without bit	742.5 MM	29.33 in
Weight without bit	32.11	70.79 lb
Outside diameter of the hammer	Ø99 mm	3.9 in
Top sub thread	API 2 3/8" REG PIN	
Working air pressure range	10-25 bar / 145-363 psi	
Recommended rotary speed	30-60 r/min	
Impact rate at 17 bar	36 Hz	
Air consumption	314.3 cfm @ 246.6 psi	8.8 m3/min @ 17 bar
	500 cfm @ 348 psi	14 m3/min @ 4 bar

WT5A HAMMER



ITEM DESCRIPTION	WEIGHT		PART. NO.
	KG	LB	
1. Top Sub	10.91	24.05	WT5A-1
2. Check Valve	0.35	0.77	WD60-3
3. O-ring	0.02	0.04	103x3.55 gb3452.1
4. Spring	0.02	0.04	WD60
5. Air Distributor	2.1	4.63	WT5A-4
6. O-ring	0.01	0.02	75x3.55 GB3452.1
7. Inner Cylinder	2.72	6	WT5-6
8. Piston	11.8	26.01	WT5-7
9. Wear Sleeve	19.3	42.55	WT5A-8
10. Retainer Ring	0.11	0.24	WT5-9
11. Guide Sleeve	2.46	5.42	WT5-10
12. Bit Retainer	0.98	2.16	WT5-11
13. Chuck	5.7	12.57	WT5A-12
Seal Kit 03x1 06x1 Rebuild Kit 01x1 10x1 13x1 Seal Kit			

BIT SPECIFICATION		
No. of Spines	8	
L (mm)	170	
L (inch)	6.69	
Bit Shank	WT5	
Bit Diameter (mm)	∅135 - ∅155	
Bit Diameter (inch)	5 1/4 - 6 1/8	

SPECIFICATIONS	METRIC	IMPERIAL
Hammer length without bit	885 mm	34.84 in
Weight without bit	56.48 kg	124.52 lb
Outside diameter of the hammer	∅128 mm	5 in
Top sub thread	API 2 3/8" REG PIN	
Working air pressure range	10-25 bar/145-363 psi	
Recommended rotary speed	30-60 r/min	
Impact rate at 17 bar	34 Hz	
Air consumption	429cfm @ 246.6 psi	12m ³ /min @ 17 bar
	679 cfm @ 348 psi	19m ³ /min @ 24 bar

WT6 HAMMER

ITEM DESCRIPTION	WEIGHT		PART. NO.
	KG	LB	
1. Top Sub	19.1	42.11	WT6-1
2. Check Valve	0.8	1.76	WT8-2
3. Spring	0.05	0.11	WD60-4
4. Air Distributor	3.2	7.05	WT6-4
5. O-ring	0.01	0.02	80X3.55/GB3452.1
6. Inner Cylinder	4.34	9.57	WT6-6
7. Piston	18.43	40.63	WT6-7
8. Wear Sleeve	26.4	58.2	WT6-8
9. Guide Sleeve	3.78	8.33	WT6-10
10. Bit Retainer	1.39	3.06	WT6-11
11. Chuck	7.65	16.87	WR6-12
Seal Kit 05x2	Rebuild Kit 01x1 08x1 11x1 Seal Kit		



BIT SPECIFICATION		
No. of Spines	10	
L (mm)	200	
L (inch)	7.87	
Bit Shank	WT6	
Bit Diameter (mm)	Ø152 - Ø203	
Bit Diameter (inch)	6-8	

SPECIFICATIONS	METRIC	IMPERIAL
Hammer length without bit	936.1 mm	36.85 in
Weight without bit	85.3 kg	188.05 lb
Outside diameter of the hammer	Ø145 mm	5.71 in
Top sub thread	API 3 1/2" REG PIN	
Working air pressure range	10-25 bar / 145-363 psi	
Recommended rotary speed	25-50 r/min	
Impact rate at 17 bar	30 Hz	
Air consumption	500 cfm @ 246.6 psi	14 m ³ /min @ 17 bar
	893 cfm @ 348 psi	25 m ³ /min @ 24 bar

WT SERIES



WT8 HAMMER



ITEM DESCRIPTION	WEIGHT		PART. NO.
	KG	LB	
1. Top Sub	41	90.39	WT8-1
2. Check Valve	0.8	1.76	WT8-2
3. Spring	0.05	0.11	WD60-4
4. Air Distributor	6.82	15.04	WT8-4
5. O-Ring	0.01	0.02	112X3.55/GB3452.1
6. Inner Cylinder	7.86	17.33	WT8-6
7. Piston	40	88.18	WT8-7
8. Wear Sleeve	55	121.25	WT8-8
9. Guide Sleeve	4.54	10	WT8-10
10. Bit Retainer	2.06	4.54	WT8-11
11. Chuck	13	28.66	WT8-12
Seal Kit 05x2	Rebuild Kit 01x1 08x1 11x1	Seal Kit	

BIT SPECIFICATION		
No. of Spines	16	
L (mm)	220	
L (inch)	8.66	
Bit Shank	WT8	
Bit Diameter (mm)	Ø195 - Ø305	
Bit Diameter (inch)	7 5/8 - 12	

SPECIFICATIONS	METRIC	IMPERIAL
Hammer length without bit	1113.1 mm	43.82 in
Weight without bit	171.14 kg	377.3 lb
Outside diameter of the hammer	Ø183 mm	7.20 in
Top sub thread	API 4 1/2" REG PIN	
Working air pressure range	10-25 bar / 145-363 psi	
Recommended rotary speed	25-45 r/min	
Impact rate at 17 bar	27 Hz	
Air consumption	857 cfm @ 246.6 psi	24 m3/min @ 17 bar
	1357 cfm @ 348 psi	38 m3/min @ 24 bar

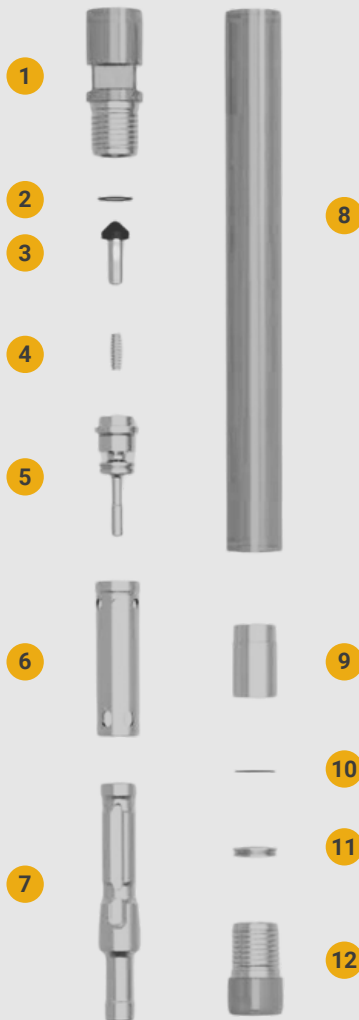


2-3" DTH HAMMERS

2" DTH HAMMER



WBR2 HAMMER



ITEM DESCRIPTION	WEIGHT		PART. NO.
	KG	LB	
1. Top Sub	2.5	5.52	WBR2-1
2. O-ring	0.01	0.02	WBR2-2
3. Check Valve	0.08	0.18	WBR2-3
4. Spring	0.05	0.11	WBR2-4
5. Air Distributor	0.5	1.10	WBR2-5
6. Inner Cylinder	0.6	1.32	WBR2-6
7. Piston	2.3	5.07	WBR2-7
8. Wear Sleeve	4.5	9.93	WBR2-8
9. Guide Sleeve	0.52	1.15	WBR2-9
10. O-ring	0.01	0.02	WBR2-10
11. Bit Retainer	0.1	0.22	WBR2-11
12. Chuck	1.2	2.664	WBR2-12
Seal Kit 02x1 10X1 Rebuild Kit 01x1 08x1 12x1 Seal Kit			

BIT SPECIFICATION		
No. of Spines	6	
L (mm)	165	
L (inch)	6.5	
Bit Shank	BR2	
Bit Diameter (mm)	Ø70 - Ø90	
Bit Diameter (inch)	2 3/4 - 3 1/2	

SPECIFICATIONS	METRIC	IMPERIAL
Hammer length without bit	810 mm	31.89 in
Weight without bit	12.5 kg	27.58 lb
Outside diameter of the hammer	Ø64 mm	2.52 in
Top sub thread	RD50 BOX	
Working air pressure range	8-15 bar / 116-217.5 psi	
Recommended rotary speed	30-50 r/min	
Air consumption	107 cfm @ 145 psi	3 m3/min @ 10 bar
	161 cfm @ 203 psi	4.5 m3/min @ 14 bar

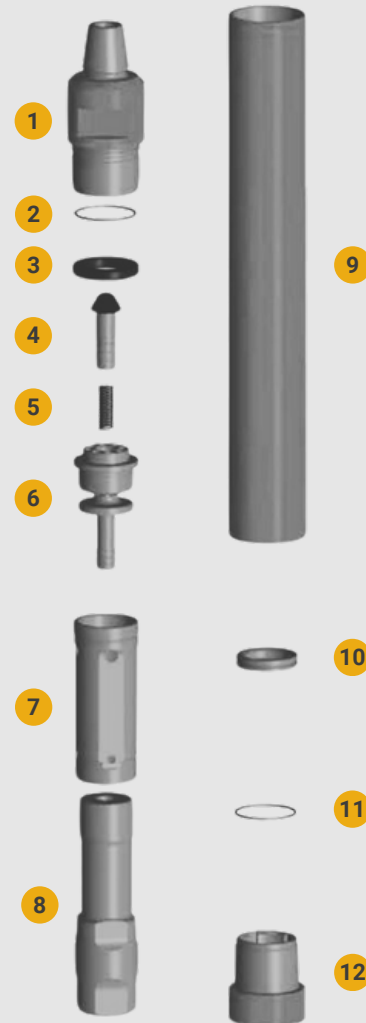
3" DTH HAMMER



WD30R HAMMER

ITEM DESCRIPTION	WEIGHT		PART. NO.
	KG	LB	
1. Top Sub	4.39	9.68	WD30-1
2. O-ring	0.01	0.02	60X3.1/GB3452.1
3. Bear Ring	0.04	0.09	WD30R-4
4. Check Valve	0.2	0.44	WD30R-5
5. Spring	0.02	0.04	WD30-4
6. Air Distributor	1.7	3.75	WD30R-7
7. Inner Cylinder	1.73	3.81	WD30R-9
8. Piston	7.1	15.65	WD30R-10
9. Wear Sleeve	9.6	21.16	WD30R-11
10. Bit Retainer	0.12	0.26	WD30-11
11. O-ring	0.01	0.02	60X3.1/GB3452.1
12. Chuck	1.98	4.37	WD30-12
Seal Kit 02x1 11X1	Rebuild kit 01x1 09x1 12x1 Seal kit		

BIT SPECIFICATION		
No. of Spines	8	
L (mm)	180	
L (inch)	7.09	
Bit Shank	DHD3.5	
Bit Diameter (mm)	Ø90 - Ø105	
Bit Diameter (inch)	3 1/2 - 4 1/8	



SPECIFICATIONS	METRIC	IMPERIAL
Hammer length without bit	854 mm	33.62 in
Weight without bit	27.15kg	59.86 lb
Outside diameter of the hammer	Ø82 mm	3.23 in
Top sub thread	API 2 3/8" REG PIN	
Working air pressure range	10-25 bar / 145-363 psi	
Recommended rotary speed	30-60 r/min	
Impact rate at 17 bar	28 Hz	
Air consumption	307.14 cfm @ 246.6 psi	8.6 m3/min @ 17 bar
	489.3 cfm @ 348 psi	13.7 m3/min @ 24 bar

3" DTH HAMMER



WBR3 HAMMER



ITEM DESCRIPTION	WEIGHT		PART. NO.
	KG	LB	
1. Top Sub	4.4	9.7	WBR3-1
2. O-Ring	0.01	0.02	WBR3-2
3. Check Valve	0.13	0.29	WBR3-3
4. Spring	0.02	0.04	WBR3-4
5. Air Distributor	0.76	1.68	WBR3-5
6. Inner Cylinder	1.45	3.2	WBR3-6
7. Piston	4.7	10.36	WBR3-7
8. Wear Sleeve	6	13.23	WBR3-8
9. Guide Sleeve	0.9	1.98	WBR3-9
10. Check Ring	0.15	0.33	WBR3-10
11. Bit Retainer	0.25	0.55	WBR3-11
12. O-ring	0.01	0.02	WBR3-12
13. Chuck	2	4.41	WBR3-13
Seal Kit 02x1 06X1 12X1	Rebuild kit 01x1 08x1 13x1 Seal kit		

BIT SPECIFICATION		
No. of Spines	6	
L (mm)	165	
L (inch)	6.5	
Bit Shank	BR3	
Bit Diameter (mm)	Ø90 - Ø105	
Bit Diameter (inch)	3 1/2 - 4 1/8	

SPECIFICATIONS	METRIC	IMPERIAL
Hammer length without bit	871 mm	34.29 in
Weight without bit	21 kg	27.58 lb
Outside diameter of the hammer	Ø82 mm	3.29 in
Top sub thread	API 2 3/8" REG PIN	
Working air pressure range	10-17 bar / 145-246.5 psi	
Recommended rotary speed	30-50 r/min	
Air consumption	143 cfm @ 145 psi	4 m3/min @ 10 bar
	250 cfm @ 246.5 psi	7 m3/min @ 15 bar

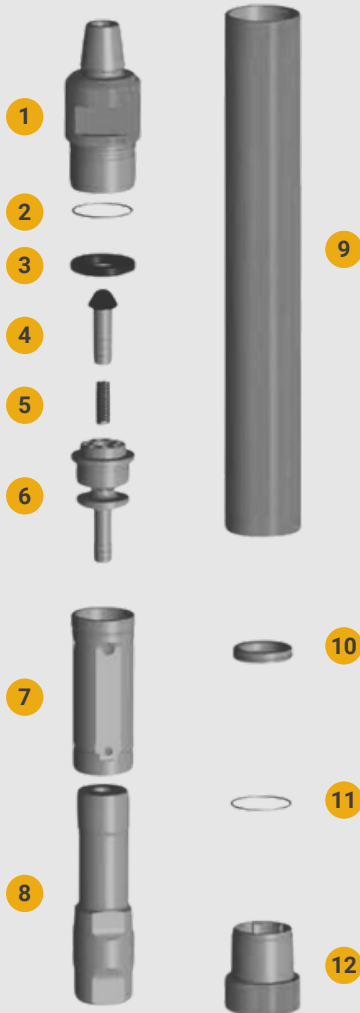


4" DTH HAMMERS

4" DTH HAMMER



WD40R HAMMER



ITEM DESCRIPTION	WEIGHT		PART. NO.
	KG	LB	
1. Top Sub	6.4	14.1	WD40-1
2. O-ring	0.01	0.02	70x3.1/GB3452.1
3. Bear Ring	0.04	0.09	WD40R-4
4. Check Valve	0.4	0.88	WD40R-5
5. Spring	0.04	0.09	WD40-4
6. Air Distributor	2.07	4.56	WD40R-7
7. Inner Cylinder	2.22	4.89	WD40R-9
8. Piston	9.1	20.06	WD40R-10
9. Wear Sleeve	15	33.07	WD40R-11
10. Bit Retainer	0.2	0.44	WD40-11
11. O-ring	0.01	0.02	60x3.1/GB3452.1
12. Chuck	3.5	7.72	WD40-12
Seal Kit 02x1 11X1	Rebuild kit 01x1 09x1 12x1 Seal kit		

BIT SPECIFICATION		
No. of Spines	8	
L (mm)	109	
L (inch)	8.23	
Bit Shank	DHD340/COP44	
Bit Diameter (mm)	Ø108 - Ø135	
Bit Diameter (inch)	4 1/4 - 5 1/4	

SPECIFICATIONS	METRIC	IMPERIAL
Hammer length without bit	956.3 mm	37.65 in
Weight without bit	39 kg	86 lb
Outside diameter of the hammer	Ø102 mm	3.9 in
Top sub thread	API 2 3/8" REG PIN	
Working air pressure range	10-25 bar / 145-363 psi	
Recommended rotary speed	30-60 r/min	
Impact Rate at 17 Bar	28 Hz	
Air consumption	339 cfm @ 246.6 psi	9.5 m3/min @ 17 bar
	536 cfm @ 348 psi	15 m3/min @ 24 bar

4" DTH HAMMER



WTD40 HAMMER

ITEM DESCRIPTION	WEIGHT		PART. NO.
	KG	LB	
1. Top Sub	7.3	16.09	WTD40-1
2. O-ring	0.01	0.02	80*3.1/GB3452.1
3. Check Valve	0.24	0.53	WTD40-3
4. Spring	0.05	0.11	WTD40-4
5. Air Distributor	1.68	3.7	WTD40-5
6. O-ring	0.01	0.02	65*3.1/GB3452.1
7. Inner Cylinder	1.83	4.03	WTD40-7
8. Piston	7.73	17.04	WTD40-8
9. Wear Sleeve	15.1	33.29	WTD40-9
10. Bit Retainer	0.18	0.40	WTD40-10
11. O-ring	0.01	0.02	70*3.1/GB3452.1
12. Chuck	2.83	6.24	WTD40-12
Seal Kit 02x1 06x1 11X1	Rebuild kit 01x1 04x1 09x1 10x1 12x1 Seal kit		



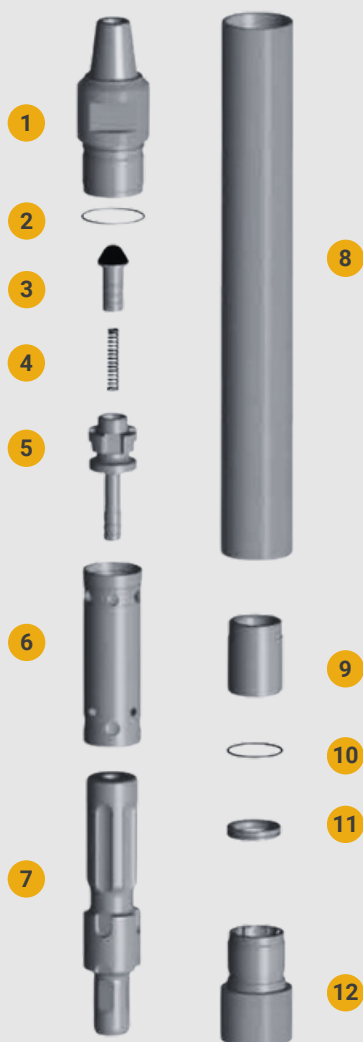
BIT SPECIFICATION		
No. of Spines	12	
L (mm)	209	
L (inch)	8.23	
Bit Shank	TD40/QLX40	
Bit Diameter (mm)	Ø110 - Ø140	
Bit Diameter (inch)	4 5/16 - 5 1/2	

SPECIFICATIONS	METRIC	IMPERIAL
Hammer length without bit	928 mm	36.54 in
Weight without bit	37 kg	81.6 lb
Outside diameter of the hammer	Ø102 mm	4.02
Top sub thread	API 2 3/8" REG PIN	
Working air pressure range	10-35 bar / 145-508 psi	
Recommended rotary speed	30-50 r/min	
Air consumption	635 cfm @ 362.6 psi	18 m3/min @ 25 bar
	918 cfm @ 507.6 psi	26 m3/min @ 35 bar

4" DTH HAMMER



WM40 HAMMER



ITEM DESCRIPTION	WEIGHT		PART. NO.
	KG	LB	
1. Top Sub	7	15.43	WD40-1
2. O-ring	0.01	0.02	70X3.1/GB3452.1
3. Check Valve	0.3	0.66	WD40-3
4. Spring	0.05	0.11	WD40-4
5. Air Distributor	1.4	3.09	WD40-5
6. Inner Cylinder	2.2	4.85	WD40-6
7. Piston	8.49	18.72	WD40-7
8. Wear Sleeve	15.1	33.29	WM40-8
9. Guide Sleeve	1.5	3.3	WM40-9
10. O-ring	0.01	0.02	60X3.1/GB3452.1
11. Bit Retainer	0.25	0.55	WM40-11
12. Chuck	3.36	7.4	WM40-12
Seal Kit 02x1 10x1	Rebuild kit 01x1 08x1 12x1 Seal kit		

BIT SPECIFICATION		
No. of Spines	12	
L (mm)	228	
L (inch)	8/98	
Bit Shank	M40	
Bit Diameter (mm)	Ø108 - Ø135	
Bit Diameter (inch)	4 1/4 - 5 1/4	

SPECIFICATIONS	METRIC	IMPERIAL
Hammer length without bit	932.3 mm	36.7 in
Weight without bit	39.7 kg	87.5 lb
Outside diameter of the hammer	Ø99 mm	3.9 in
Top sub thread	API 2 3/8" REG PIN	
Working air pressure range	10-25 bar/145-363 psi	
Recommended rotary speed	30-60r/min	
Impact rate at 17 bar	30 Hz	
Air consumption	325 cfm @ 246.6 psi	9.1m3/min @ 17 bar
	500 cfm @ 348 PSI	14m3/min @ 24 bar

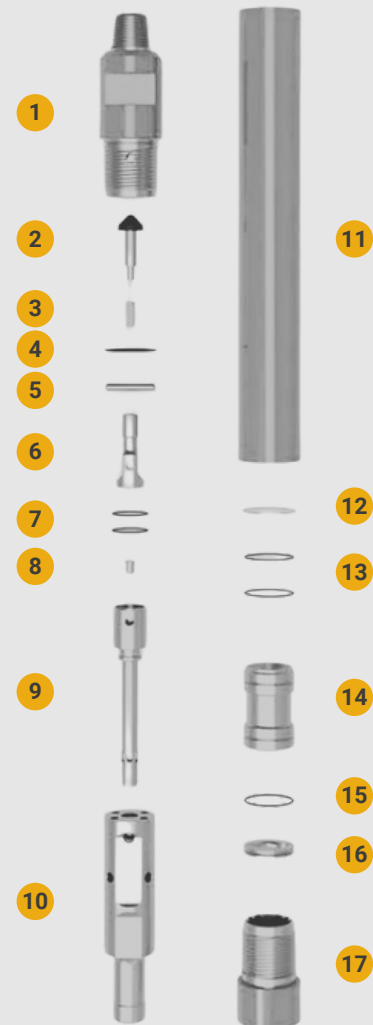
4" DTH HAMMER



WD40B HAMMER

ITEM DESCRIPTION	WEIGHT		PART. NO.
	KG	LB	
1. Top Sub	8	17.64	WM40B-01
2. Check Valve	0.2	0.44	WM40B-02
3. Spring	0.01	0.02	WM40B-03
4. O-ring	0.01	0.02	75X3/GB3452.1
5. Pin	0.07	0.15	WM40B-05
6. Air Distribution Cap	0.3	0.66	WM40B-06
7. O-ring	0.01	0.02	51.5X3/GB3452.1
8. Air Plug	0.01	0.02	WM40B-07
9. Air Distributor	0.7	1.54	WM40B-04
10. Piston	7.3	16.1	WM40B-08
11. Wear Sleeve	14.5	31.97	WM40B-09
12. Piston Retainer Ring	0.01	0.02	WM40B-10
13. O-ring	0.01	0.02	71X3/GB3452.1
14. Guide Sleeve	2	4.41	WM40B-11
15. O-ring	0.01	0.02	69X3.55/GB3452.1
16. Bit Retainer	0.3	0.66	WM40B-12
17. Chuck	3	6.61	WM40B-13
Seal Kit 04x1 08x2 13x2 15x1	Rebuild kit 01x1 11x1 17x1 Seal kit		

BIT SPECIFICATION		
No. of Spines	12	
L (mm)	228	
L (inch)	8.98	
Bit Shank	M40	
Bit Diameter (mm)	Ø108 - Ø135	
Bit Diameter (inch)	4 1/4 - 5 1/4	



SPECIFICATIONS	METRIC	IMPERIAL
Hammer length without bit	973.5 mm	38.33 in
Weight without bit	36.5 kg	80.47 lb
Outside diameter of the hammer	Ø98 mm	38.6 in
Top sub thread	API 2 3/8" REG PIN	
Working air pressure range	10-25 bar / 145-363 psi	
Recommended rotary speed	30-60 r/min	
Impact Rate at 17 Bar	30 Hz	
Air consumption	325 cfm @ 246.6 psi	9.1 m3/min @ 17 bar
	500 cfm @ 348 psi	14 m3/min @ 24 bar

4" DTH HAMMER



WM40SD HAMMER



ITEM DESCRIPTION	WEIGHT		PART. NO.
	KG	LB	
1. Top Sub	7.7	17	WM40SD-1
2. Check Valve	0.3	0.66	WM50SD-2
3. Spring	0.02	0.04	WM50SD-3
4. O-ring	0.01	0.02	73X3.55/GB3452.1
5. Make-up Ring	0.04	0.09	WM40SD-3
6. Check Valve Guide	0.27	0.6	WM40SD-4
7. Retainer Pin	0.1	0.2	WM40SD-5
8. Choke Set	0.04	0.09	WM40SD-7
9. Air Distribution	0.67	1.5	WM40SD-6
10. Piston	7.5	16.5	WM40SD-9
11. Piston Retainer Ring	0.04	0.09	WM40SD-10
12. Wear Sleeve (Reversible)	16	35.3	WM40SD-8
13. O-ring	0.01	0.02	67X3.55/GB3452.1
14. Bit Retainer	0.25	0.55	WM40SD-12
15. Guide Sleeve	1.83	4.03	WM40SD-11
16. Chuck	2.7	5.95	WM40SD-13
Seal Kit 04x1 08x1 13X1 Rebuild kit 01x1 12x1 16x1 Seal kit			

BIT SPECIFICATION		
No. of Spines	12	
L (mm)	228	
L (inch)	9	
Bit Shank	M40	
Bit Diameter (mm)	Ø108 - Ø135	
Bit Diameter (inch)	4 1/4 - 5 1/4	

SPECIFICATIONS	METRIC	IMPERIAL
Hammer length without bit	893 mm	35.16 in
Weight without bit	39 kg	86 lb
Outside diameter of the hammer	Ø99 mm	3.9 in
Top sub thread	API 2 3/8" REG PIN	
Working air pressure range	10-25 bar / 145-363 psi	
Recommended rotary speed	30-60 r/min	
Impact rate at 17 bar	35 Hz	
Air consumption	307 cfm @ 246.6 psi	8.5 m ² /min @ 17 bar
	482 cfm @ 348 psi	13.2 m ³ /min @ 24 bar





5" DTH HAMMERS

5" DTH HAMMER



WD50R HAMMER

ITEM DESCRIPTION	WEIGHT		PART. NO.
	KG	LB	
1. Top Sub	14.26	31.44	WD50R-1
2. O-ring	0.01	0.02	80X3.55/GB3452.1
3. Bear Ring	0.08	0.18	WD50R-4
4. Check Valve	1	2.2	WD60-3
5. Spring	0.04	0.09	WD60-4
6. Air Distributor	3.75	8.27	WD50R-7
7. Inner Cylinder	4.4	9.7	WD50R-9
8. Piston	16.98	37.43	WD50R-10
9. Wear Sleeve	27.5	60.63	WD50R-11
10. Bit Retainer	0.3	0.66	WD50-11
11. O-ring	0.01	0.02	80X3.55/GB3452.1
12. Chuck	6.3	13.89	WD50R-12
Seal Kit 02x1 11X1	Rebuild kit 01x1 09x1 12x1 Seal kit		

BIT SPECIFICATION		
No. of Spines	8	
L (mm)	2660	
L (inch)	10.23	
Bit Shank	DHD350/COP54	
Bit Diameter (mm)	Ø135 - Ø155	
Bit Diameter (inch)	5 1/4 - 6 1/8	

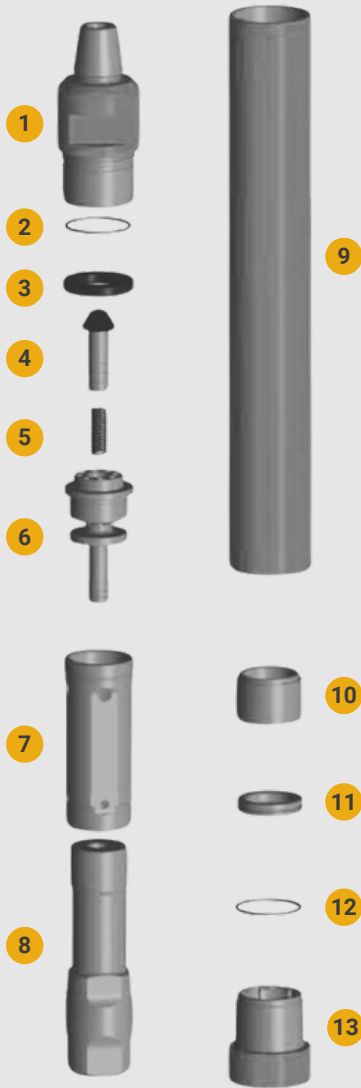


SPECIFICATIONS	METRIC	IMPERIAL
Hammer length without bit	1088 mm	42.83 in
Weight without bit	74.64	164.53 lb
Outside diameter of the hammer	Ø82 mm	4.96 in
Top sub thread	API 2 3/8" REG PIN	
Working air pressure range	10-25 bar / 145-363 psi	
Recommended rotary speed	30-60 r/min	
Impact rate at 17 bar	26 Hz	
Air consumption	543 cfm @ 246.6 psi	15.2 m3/min @17 bar
	793 cfm @ 348 psi	22.2 m3/min @ 24 bar

5" DTH HAMMER



WQL50R HAMMER



ITEM DESCRIPTION	WEIGHT		PART. NO.
	KG	LB	
1. Top Sub	14.26	31.44	WD50R-1
2. O-ring	0.01	0.02	80X3.55/GB3452.1
3. Bear Ring	0.08	0.18	WD50R-4
4. Check Valve	0.56	1.23	WD60-3
5. Spring	0.02	0.04	WD60-4
6. Air Distributor	3.49	7.69	WQL50R-7
7. Inner Cylinder	5.24	11.55	WQL50R-9
8. Piston	16.95	37.37	WQL50R-10
9. Wear Sleeve	26.5	58.42	WQL50-11
10. Bit Retainer	3.05	6.72	WQL50-12
11. O-ring	0.4	0.88	WQL50-13
12. O-ring	0.01	0.02	80X3.55/GB3452.1
13. Chuck	4.6	10.14	WQL50-15
Seal Kit 02x1 12X1	Rebuild kit 01x1 09x1 13x1 Seal kit		

BIT SPECIFICATION		
No. of Spines	12	
L (mm)	240	
L (inch)	9.45	
Bit Shank	QL50	
Bit Diameter (mm)	Ø135 - Ø155	
Bit Diameter (inch)	5 1/4 - 6 1/8	

SPECIFICATIONS	METRIC	IMPERIAL
Hammer length without bit	1068 mm	42.05 in
Weight without bit	75.17 kg	165.72 lb
Outside diameter of the hammer	Ø126 mm	4.96 in
Top sub thread	API 2 3/8" REG PIN	
Working air pressure range	10-25 bar / 145-363 psi	
Recommended rotary speed	30-60 r/min	
Impact Rate at 17 Bar	26 Hz	
Air consumption	543 cfm @ 246.6 psi	15.2 m3/min @ 17 bar
	793 cfm @ 348 psi	22.2 m3/min @ 24 bar

5" DTH HAMMER



WM50 HAMMER

ITEM DESCRIPTION	WEIGHT		PART. NO.
	KG	LB	
1. Top Sub	13.8	30.42	WD50-1
2. O-ring	0.01	0.02	80X3.55/GB3452.1
3. Check Valve	0.6	1.33	WD60-3
4. Spring	0.02	0.04	WD60-4
5. Air Distributor	2.1	4.63	WD50-5
6. Inner Cylinder	2.7	5.95	WM50-6
7. Piston	15.6	34.34	WM50-7
8. Wear Sleeve	25.3	55.78	WM50-8
9. Guide Sleeve	2.3	5.07	WM50-9
10. O-ring	0.01	0.02	80X3.55/GB3452.1
11. Bit retainer	0.4	0.88	WM5-11
12. Chuck	6.6	14.55	WM50-12
Seal Kit 02x1 10X1	Rebuild kit 01x1 09x1 11x1 Seal kit		

BIT SPECIFICATION		
No. of Spines	12	
L (mm)	260	
L (inch)	10.2	
Bit Shank	M50	
Bit Diameter (mm)	Ø135 - Ø155	
Bit Diameter (inch)	5 1/4 - 6 1/8	



SPECIFICATIONS	METRIC	IMPERIAL
Hammer length without bit	1027 mm	40.43 in
Weight without bit	74.5 kg	164.24 lb
Outside diameter of the hammer	Ø126 mm	4.96 in
Top sub thread	API 2 3/8" REG PIN	
Working air pressure range	10-25 bar / 145-363 psi	
Recommended rotary speed	30-60 r/min	
Impact rate at 17 bar	29 Hz	
Air consumption	486 cfm @ 24.6 psi	13.6 m3/min @ 17 bar
	714 cfm @ 348 psi	20 m3/min @24 bar

5" DTH HAMMER



WM50SD HAMMER



ITEM DESCRIPTION	WEIGHT		PART. NO.
	KG	LB	
1. Top Sub	17.74	39.1	WM50SD-1
2. Check Valve	0.18	0.4	WM50SD-2
3. Spring	0.05	0.11	WM50SD-3
4. O-ring	0.01	0.02	95X3.55/GB3452.1
5. Make-up Ring	0.08	0.18	WM50SD-4
6. Check Valve Guide	0.64	1.4	WM50SD-4
7. Retainer Pin	0.17	0.37	WM50SD-6
8. Choke Set	0.05	0.11	WM50SD-8
9. Air Distributor	2.3	5.07	WM50SD-7
10. Piston	12.83	28.3	WM50SD-9
11. Piston Retainer Ring	0.05	0.11	WM50SD-11
12. Wear Sleeve (Reversible)	29	63.9	WM50SD-10
13. O-ring	0.01	0.02	87.5X3.55/GB3452.1
14. Bit Retainer	0.6	1.32	WM50SD-13
15. Guide Sleeve	3.6	7.9	WM50SD-12
16. Chuck	6.3	13.9	WM50SD-14
Seal Kit 04x1 08x2 13x1	Rebuild kit 01x1 12x1 16x1 Seal kit		

BIT SPECIFICATION		
No. of Spines	12	
L (mm)	260	
L (inch)	10.2	
Bit Shank	M50	
Bit Diameter (mm)	Ø135 - Ø155	
Bit Diameter (inch)	5 1/4 - 6 1/8	

SPECIFICATIONS	METRIC	IMPERIAL
Hammer length without bit	1013 mm	39.88 in
Weight without bit	75.28 kg	166 lb
Outside diameter of the hammer	Ø1266 mm	5 in
Top sub thread	API 3 1/2" REG PIN	
Working air pressure range	10-25 bar / 145-363 psi	
Recommended rotary speed	30-60 r/min	
Impact Rate at 17 Bar	32 Hz	
Air consumption	545 cfm @ 246.6 psi	15.25 m3/min @ 17 bar
	825 cfm @ 348 psi	23.1 m3/min @ 24 bar



6" DTH HAMMERS

6" DTH HAMMER



WD60R HAMMER



ITEM DESCRIPTION	WEIGHT		PART. NO.
	KG	LB	
1. Top Sub	20.32	44.8	WD60R-1
2. O-ring	0.01	0.02	100X3.55/GB3452.1
3. Bear Ring	0.08	0.18	WD60R-4
4. Check Valve	1	2.2	WD60R-5
5. Spring	0.04	0.09	WD60-4
6. Air Distributor	5.1	11.24	WD60R-7
7. Inner Cylinder	5.2	11.46	WD60R-9
8. Piston	23.5	51.81	WD60R-10
9. Wear Sleeve	37	81.57	WD60R-11
10. Guide Sleeve	2.57	5.67	WD60R-12
11. Bit Retainer	0.85	1.87	WD60-11
12. O-ring	0.01	0.02	100X3.55/GB3452.1
13. Chuck	7.88	17.37	WD60R-12
Seal Kit 02x1 12X1	Rebuild kit 01x1 09x1 13x1 Seal kit		

BIT SPECIFICATION		
No. of Spines	8	
L (mm)	309	
L (inch)	12.17	
Bit Shank	DHD360/COP64	
Bit Diameter (mm)	Ø152 - Ø203	
Bit Diameter (inch)	6-8	

SPECIFICATIONS	METRIC	IMPERIAL
Hammer length without bit	1152.5 mm	45.37 in
Weight without bit	103.56 kg	228.31 lb
Outside diameter of the hammer	Ø146 mm	5.75 in
Top sub thread	API 3 1/2" REG PIN	
Working air pressure range	10-25 bar / 145-363 psi	
Recommended rotary speed	25-50 r/min	
Impact Rate at 17 Bar	25 Hz	
Air consumption	696 cfm @ 246.6 psi	19.5 m3/min @ 17 bar
	982 cfm @ 348 psi	27.5 m3/min @ 24 bar

6" DTH HAMMER



WSD6R HAMMER

ITEM DESCRIPTION	WEIGHT		PART. NO.
	KG	LB	
1. Top Sub	20.2	44.53	WD60R-1
2. O-ring	0.01	0.02	100X3.55/GB3452.1
3. Check Valve	1	2.2	WD60R-5
4. Spring	0.05	0.11	WD60-4
5. Bear Ring	0.1	0.22	WSD6R-4
6. Air Distributor	3.75	8.27	WSD6R-7
7. Inner Cylinder	5.2	11.46	WSD6R-9
8. Wear Sleeve	33.8	74.52	WSD6R-10
9. Piston	24.8	54.67	WSD6R-9
10. O-ring	0.01	0.02	100X3.55/GB3452.1
11. Bit retainer	0.55	1.21	WSD6R-11
12. Chuck Ring	2.7	5.95	WSD6R-12
13. Chuck	9.45	20.83	WSD6R-13
Seal Kit 02x1 10X1	Rebuild kit 01x1 08x1 13x1 Seal kit		

BIT SPECIFICATION		
No. of Spines	8	
L (mm)	324	
L (inch)	12.76	
Bit Shank	SD6	
Bit Diameter (mm)	Ø152 - Ø203	
Bit Diameter (inch)	6-8	



SPECIFICATIONS	METRIC	IMPERIAL
Hammer length without bit	1182 mm	46.54 in
Weight without bit	101.6 kg	224 lb
Outside diameter of the hammer	Ø146 mm	5.75 in
Top sub thread	API 3 1/2" REG PIN	
Working air pressure range	10-25 bar / 145-363 psi	
Recommended rotary speed	25-50 r/min	
Impact rate at 17 bar	25 Hz	
Air consumption	696 cfm @ 246.6 psi	19.5 m3/min @ 17 bar
	964 cfm @ 348 psi	27 m3/min @ 24 bar

6" DTH HAMMER



WQL60R HAMMER



ITEM DESCRIPTION	WEIGHT		PART. NO.
	KG	LB	
1. Top Sub	18.73	41.29	WD60-1
2. O-ring	0.01	0.02	100X3.55/GB3452.1
3. Check Valve	0.65	1.43	WD60-3
4. Spring	0.1	0.22	WD60-4
5. Air Distributor	3.88	8.55	WQL60R-7
6. Inner Cylinder	4.18	9.22	WQL60R-9
7. Piston	20.44	45.06	WQL60R-10
8. Wear Sleeve	32	70.55	WQL60R-11
9. Guide Sleeve	1.83	4.03	WQL60R-12
10. Bit Retainer	0.7	1.54	WQL60R-13
11. O-ring	0.01	0.02	100X3.55/GB3452.1
12. Chuck	6.08	13.4	WQL60R-15
Seal Kit 02x1 11X1	Rebuild kit 01x1 08x1 12x1 Seal kit		

BIT SPECIFICATION		
No. of Spines	12	
L (mm)	253	
L (inch)	9.96	
Bit Shank	QL60	
Bit Diameter (mm)	Ø152 - Ø203	
Bit Diameter (inch)	6-8	

SPECIFICATIONS	METRIC	IMPERIAL
Hammer length without bit	1057 mm	41.61 in
Weight without bit	95 kg	209.4 lb
Outside diameter of the hammer	Ø146 mm	5.75 in
Top sub thread	API 3 1/2" REG PIN	
Working air pressure range	10-25 bar / 145-363 psi	
Recommended rotary speed	25-50 r/min	
Impact Rate at 17 Bar	25 Hz	
Air consumption	696 cfm @ 246.6 psi	19.5 m3/min @ 17 bar
	975 cfm @ 348 psi	27.3 m3/min @ 24 bar

6" DTH HAMMER



WQL60RD HAMMER

ITEM DESCRIPTION	WEIGHT		PART. NO.
	KG	LB	
1. Top Sub	21	46.3	WQL60RD-1
2. O-ring	0.01	0.02	115X3.55/GB3452.1
3. Check Valve	0.65	1.43	WD0-3
4. Spring	0.1	0.22	WD60-4
5. Air Distributor	7.22	15.9	WQL60RD-7
6. Inner Cylinder	6.06	13.36	WQL60RD-9
7. PISTON	23.8	52.47	WQL60RD-10
8. Wear Sleeve (Reversible)	32	70.55	WQL60RD-11
9. Piston Retainer Ring	0.1	0.22	WQL60RD-16
10. Guide Sleeve	6.6	14.55	WQL60RD-12
11. O-ring	0.01	0.02	115X3.55/GB3452.1
12. Bit Retainer	0.77	1.7	WQL60RD-13
13. Chuck	5.46	12.04	WQL60RD-15
Seal Kit 02x1 11X1	Rebuild kit 01x1 08x1 13x1 Seal kit		

BIT SPECIFICATION		
No. of Spines	12	
L (mm)	253	
L (inch)	9.96	
Bit Shank	QL60	
Bit Diameter (mm)	Ø152 - Ø203	
Bit Diameter (inch)	6-8	



SPECIFICATIONS	METRIC	IMPERIAL
Hammer length without bit	1180 mm	46.46 in
Weight without bit	104 kg	229.3 lb
Outside diameter of the hammer	Ø148 mm	5.83 in
Top sub thread	API 3 1/2" REG PIN	
Working air pressure range	10-25 bar / 145-363 psi	
Recommended rotary speed	25-50 r/min	
Impact rate at 17 bar	25 Hz	
Air consumption	696 cfm @246.6 psi	19.5 m3/min @ 17 bar
	975 cfm @ 348 psi	27.3 m3/min @ 24 bar

6" DTH HAMMER



WM60B HAMMER



ITEM DESCRIPTION	WEIGHT		PART. NO.
	KG	LB	
1. Top Sub	20.8	45.86	WM60B-01
2. O-ring	0.01	0.02	122X3.55/GB3452.1
3. Check Valve	0.6	1.32	WD60-3
4. Spring	0.05	0.11	WD60-4
5. Air Distributor	3.5	7.72	WM60B-02
6. Inner Cylinder	3.8	8.38	WM60B-03
7. Piston	21.6	47.63	WM60B-04
8. Wear Sleeve	30	66.15	WM60B-05
9. Guide Sleeve	4.8	10.58	WM60B-06
10. Bit Retainer	0.8	1.76	WM60B-07
11. O-ring	0.01	0.02	103X3.55/GB3452.1
12. Chuck	5.6	12.35	WM60B-08
Seal Kit 02x1 11X1	Rebuild kit 01x1 08x1 12x1 Seal kit		

BIT SPECIFICATION		
No. of Spines	12	
L (mm)	231	
L (inch)	9.09	
Bit Shank	M60	
Bit Diameter (mm)	Ø152 - Ø203	
Bit Diameter (inch)	6-8	

SPECIFICATIONS	METRIC	IMPERIAL
Hammer length without bit	1127 mm	44.37 in
Weight without bit	92 kg	202.83 lb
Outside diameter of the hammer	Ø144 mm	5.67 in
Top sub thread	API 3 1/2" REG PIN	
Working air pressure range	10-25 bar / 145-363 psi	
Recommended rotary speed	25-50 r/min	
Impact Rate at 17 Bar	27 Hz	
Air consumption	629 cfm @ 246.6 psi	17.6 m3/min @ 17 bar
	882 cfm @ 348 psi	24.7 m3/min @ 24 bar

6" DTH HAMMER



WM60CSD HAMMER

ITEM DESCRIPTION	WEIGHT		PART. NO.
	KG	LB	
1. Top Sub	20.5	45.20	WM60CSD-01
2. Check Valve	0.6	1.32	WM60CSD-02
3. O-ring	0.01	0.02	118X5.3/GB3452.1
4. Spring	0.01	0.02	WM60CSD-03
5. Cushion Ring	0.07	0.15	WM60CSD-04
6. Pin	0.17	0.37	WM60CSD-06
7. Air Distributor Cap	0.87	1.92	WM60CSD-07
8. Air Plug	0.01	0.02	WM60CSD-08
9. Air Distributor	4.6	10.14	WM60CSD-05
10. Piston	18.5	40/79	WM60CSD-09
11. Wear Sleeve	27.5	60.664	WM60CSD-02
12. Bit Retainer Ring	0.05	0.11	WM60CSD-10
13. Guide Sleeve	6.3	13.89	WM60CSD-11
14. O-ring	0.01	0.02	112X3.55/GB3452.1
15. Bit Retainer	1	2.21	WM60CSD-12
16. Chuck	5.3	11.69	WM60CSD-03
Seal Kit 02x1 14x1	Rebuild kit 01x1 11x1 16x1 Seal kit		



BIT SPECIFICATION		
No. of Spines	12	
L (mm)	231	
L (inch)	9.09	
Bit Shank	M60	
Bit Diameter (mm)	Ø152 - Ø203	
Bit Diameter (inch)	6-8	

SPECIFICATIONS	METRIC	IMPERIAL
Hammer length without bit	1099 mm	43.27 in
Weight without bit	85.5 kg	188.5 lb
Outside diameter of the hammer	Ø143 mm	5.63 in
Top sub thread	API 3 1/2" REG PIN	
Working air pressure range	10-25 bar / 145-363 psi	
Recommended rotary speed	25-50 r/min	
Impact Rate at 17 Bar	26 Hz	
Air consumption	629 cfm @ 246.6 psi	17.6 m3/min @ 17 bar
	882 cfm @ 348 psi	24.7 m3/min @ 24 bar



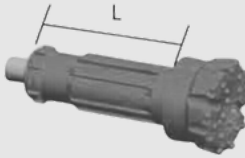
8" DTH HAMMERS

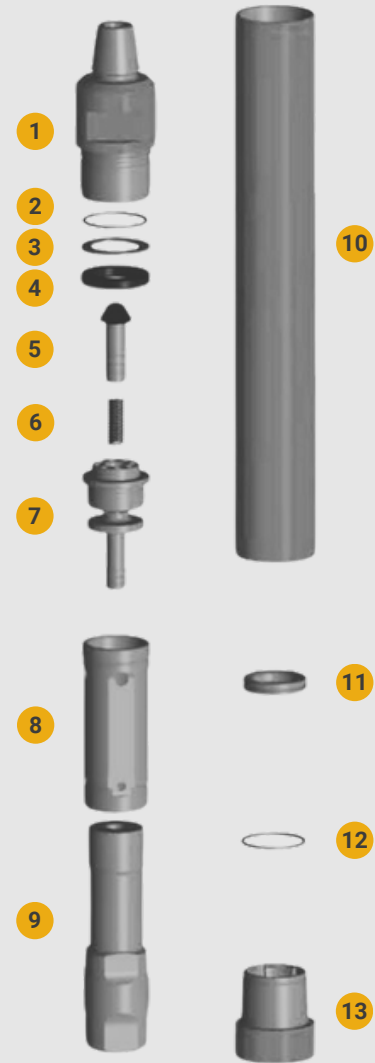
8" DTH HAMMER



WD80R HAMMER

ITEM DESCRIPTION	WEIGHT		PART. NO.
	KG	LB	
1. Top Sub	41.2	90.83	WD80R-1
2. O-ring	0.01	0.02	132X5.3XGB3452.1
3. Make-up Ring	0.2	0.44	WD80R-3
4. Bear Ring	0.08	0.18	WD80R-4
5. Check Balve	1.5	3.3	WD80R-5
6. Spring	0.1	0.22	WD80R-4
7. Air Distributor	12.4	27.33	WD80R-7
8. Inner Cylinder	8.33	18.36	WD80R-9
9. Piston	41/2	90.83	WD80R-10
10. Wear Sleeve	62.2	137.13	WD80R-11
11. Bit Retainer	1.3	2.87	WD80R-12
12. O-ring	0.01	0.02	120X3.55/GB3452.1
13. Chuck	17.6	38.8	WD80R-14
Seal Kit 02x1 12X1	Rebuild kit 01x1 10x1 13x1 Seal kit		

BIT SPECIFICATION		
No. of Spines	10	
L (mm)	350	
L (inch)	13.78	
Bit Shank	DHD380/COP84	
Bit Diameter (mm)	Ø195 - Ø305	
Bit Diameter (inch)	7 5/8-12	



SPECIFICATIONS	METRIC	IMPERIAL
Hammer length without bit	1384 mm	54.49 in
Weight without bit	186.5 kg	411.2 lb
Outside diameter of the hammer	Ø180 mm	7.09 in
Top sub thread	API 4 1/2" REG PIN	
Working air pressure range	10-25 bar / 145-363 psi	
Recommended rotary speed	20-45 r/min	
Impact rate at 17 bar	20 Hz	
Air consumption	964 cfm @ 246.6 psi	27 m3/min @ 17 bar
	1554 cfm @ 348 psi	43.5 m3/min @ 24 bar

8" DTH HAMMER



WSD8R HAMMER



ITEM DESCRIPTION	WEIGHT		PART. NO.
	KG	LB	
1. Top Sub	41.2	90.83	WD80R-1
2. O-ring	0.01	0.02	120-132X5.3/GB3452.1
3. Make-up Ring	0.3	0.66	WD80R-3
4. Check Valve	1.5	3.31	WD80R-5
5. Spring	0.1	0.22	WD80A-4
6. Bearing Ring	0.1	0.22	WD80R-4
7. Air Distributor	12.4	27.34	WD80R-7
8. Inner Cylinder	8.5	18.74	WD80R-9
9. Wear Sleeve	62.2	137.13	WD80R-11
10. Piston	41.2	90.83	WD80R-10
11. O-ring	0.01	0.02	120-132X3.55/GB3452/1
12. Bit Retainer	1	2.2	WD80R-12
13. Chuck Ring	2.55	5.62	WD80R-13
14. Chuck	17.6	38.80	WD80R-14
Seal Kit 02x1 11X1	Rebuild kit 01x1 09x1 14x1 Seal kit		

BIT SPECIFICATION		
No. of Spines	8	
L (mm)	321	
L (inch)	12.64	
Bit Shank	SD8	
Bit Diameter (mm)	Ø195 - Ø305	
Bit Diameter (inch)	7 5/8-12	

SPECIFICATIONS	METRIC	IMPERIAL
Hammer length without bit	1356 mm	53.39
Weight without bit	188.7 kg	416 lb
Outside diameter of the hammer	Ø180 mm	7.09 in
Top sub thread	API 4 1/2" REG PIN	
Working air pressure range	10-25 bar / 145-363 psi	
Recommended rotary speed	20-45 r/min	
Impact Rate at 17 Bar	20 Hz	
Air consumption	964 cfm @ 246.6 psi	27 m3/min @ 17 bar
	1536 cfm @ 248 psi	43 m3/min @ 24 bar

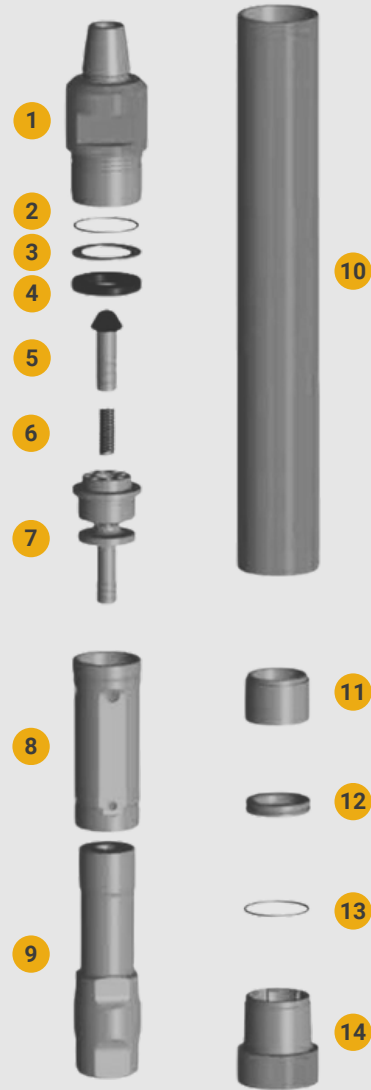
8" DTH HAMMER



WQL80R HAMMER

ITEM DESCRIPTION	WEIGHT		PART. NO.
	KG	LB	
1. Top Sub	41.2	90.83	WD80R-1
2. O-ring	0.02	0.04	145X5.3/GB3452.1
3. Make-up Ring	0.2	0.44	WD80R-3
4. Bear Ring	0.1	0.22	WD80R-4
5. Check Valve	1.5	3.31	WD80R-5
6. Spring	0.1	0.22	WD80A-4
7. Air Distributor	12.4	27.34	WD80R-7
8. Inner Cylinder	8.33	18.36	WD80R-9
9. Piston	41.2	90.83	WQL80R-10
10. Wear Sleeve	62.2	137.13	WQL80R-11
11. Guide Sleeve	6	13.23	WQL80R-13
12. Bit Retainer	1.2	2.65	WD80R-12
13. O-ring	0.02	0.04	132X3.55/GB3452.1
14. Chuck	17.6	38.8	WQL80R-14
Seal Kit 02x1 13X1	Rebuild kit 01x1 10x1 14x1 Seal kit		

BIT SPECIFICATION		
No. of Spines	16	
L (mm)	331	
L (inch)	13.03	
Bit Shank	QL80	
Bit Diameter (mm)	Ø195 - Ø305	
Bit Diameter (inch)	7 5/8 - 12	



SPECIFICATIONS	METRIC	IMPERIAL
Hammer length without bit	1365 mm	53.74 in
Weight without bit	192 kg	423.29 lb
Outside diameter of the hammer	Ø180 mm	7.09 in
Top sub thread	API 4 1/2" REG PIN	
Working air pressure range	10-25 bar / 145-363 psi	
Recommended rotary speed	20-45 r/min	
Impact Rate at 17 Bar	20 Hz	
Air consumption	971 cfm @ 246.6 psi	27.2 m3/min @ 17 bar
	1554 cfm @ 348 psi	43.5 m3/min @ 24 bar

8" DTH HAMMER



WM80 HAMMER



ITEM DESCRIPTION	WEIGHT		PART. NO.
	KG	LB	
1. Top Sub	34.4	75.54	WD80A-1
2. O-ring	0.01	0.02	150X3.55/GB3452.1
3. Check Valve	1.2	2.65	WD80A-3
4. Spring	0.1	0.22	WD80A-4
5. Air Distributor	5.8	12.79	WM80-5
6. Inner Cylinder	6.7	14.77	WM80-6
7. Piston	43.8	96.56	WM80-7
8. Wear Sleeve	61	134.48	WD80A-8
9. Guide Sleeve	5.4	11.9	WM80-9
10. O-ring	0.01	0.02	136X3.55/GB3452.1
11. Bit retainer	1.3	2.87	WM80-12
12. Chuck	17.1	37.7	WM80-14
Seal Kit 02x1 10X1	Rebuild kit 01x1 08x1 12x1 Seal kit		

BIT SPECIFICATION		
No. of Spines	12	
L (mm)	329	
L (inch)	12.95	
Bit Shank	M80	
Bit Diameter (mm)	Ø195 - Ø305	
Bit Diameter (inch)	7 5/8-12	

SPECIFICATIONS	METRIC	IMPERIAL
Hammer length without bit	1225.2 mm	48.24 in
Weight without bit	177 kg	390.2 lb
Outside diameter of the hammer	Ø180 mm	7.09 in
Top sub thread	API 4 1/2" REG PIN	
Working air pressure range	10-25 bar / 145-363 psi	
Recommended rotary speed	20-45 r.min	
Impact Rate at 17 Bar	25 Hz	
Air consumption	771 cfm @ 246.6 psi	21.6 m3/min @ 17 bar
	1393 cfm @ 348 psi	39 m3/min @ 24 bar

8" DTH HAMMER



WM80SD HAMMER

ITEM DESCRIPTION	WEIGHT		PART. NO.
	KG	LB	
1. Top Sub	43.5	95/92	WM80SD-01
2. Check Valve	0.48	1.06	WM80SD-02
3. Spring	0.09	0.2	WM80SD-03
4. Air Distributor Cap	0.88	1.94	WM80SD-04
5. O-ring	0.01	0.02	150X3.55/GB3452.1
6. Pin	0.32	0.71	WM80SD-05
7. O-ring	0.01	0.02	75X3.55/GB3452.1
8. Air Distributor	1.9	4.19	WM80SD-06
9. Air Plug	0.005	0.01	WM80CSD-08
10. Piston	39.7	87.54	WM80SD-07
11. Wear Sleeve	55.1	121.50	WM80SD-08
12. Bit Retainer	0.166	0.35	WM80SD-09
13. Guide Sleeve	10.7	23.59	WM80SD-10
14. O-ring	0.01	0.02	142.5X3.55/GB3452.1
15. Bit Retainer	1.9	4.19	WM80SD-11
16. O-ring	0.01	0.02	140X3.55/GB3452.1
17. Chuck	15.3	33.74	WM80SD-12
Seal Kit 05x1 07x2 14x2 16x1	Rebuild kit 01x1 11x1 17x1 Seal kit		

BIT SPECIFICATION		
No. of Spines	12	
L (mm)	329	
L (inch)	12.95	
Bit Shank	M80	
Bit Diameter (mm)	Ø195 - Ø305	
Bit Diameter (inch)	7 5/8 - 12	



SPECIFICATIONS	METRIC	IMPERIAL
Hammer length without bit	1287 mm	50.67 in
Weight without bit	170 kg	374.79 lb
Outside diameter of the hammer	Ø181 mm	7.13 in
Top sub thread	API 4 1/2" REG PIN	
Working air pressure range	10-25 bar / 145-363 psi	
Recommended rotary speed	20-45 r/min	
Impact Rate at 17 Bar	25 Hz	
Air consumption	771 cfm @ 246.6 psi	21.6 m3/min @ 17 bar
	1393 cfm @ 348 psi	39 m3/min @ 24 bar



10" DTH HAMMERS

10" DTH HAMMER



WSD10R HAMMER

ITEM DESCRIPTION	WEIGHT		PART. NO.
	KG	LB	
1. Top Sub	65.5	144.10	WNM100R-01
2. O-ring	0.01	0.02	182.5X3.55/GB3452.1
3. Check Valve	2.5	5.50	WNM100R-02
4. Bearing Ring	0.31	0.68	WNM100R-03
5. Spring	0.15	0.33	WNM100R-04
6. O-ring	0.01	0.03	150X2.65/GB3452.1
7. Air Distributor	12.5	27.50	WNM100R-05
8. Inner Cylinder	12	26.40	WNM100R-06
9. Piston	65.5	144.10	WNM100R-07
10. Wear Sleeve	121.2	266.64	WSD10R-01
11. Bit Retainer	1.8	3.94	WSD10R-02
12 O-ring	0.01	0.02	170X3.55/GB3452.1
13. Chuck Ring	4.5	9.90	WSD10R-03
14. Chuck	25.3	55.66	WSD10R-04
Seal Kit 02x1 13X1	Rebuild kit 01x1 10x1 14x1 Seal kit		



BIT SPECIFICATION		
No. of Spines	8	
L (mm)	355	
L (inch)	14.02	
Bit Shank	SD10	
Bit Diameter (mm)	Ø254 - Ø350	
Bit Diameter (inch)	10 - 13 3/4	

SPECIFICATIONS	METRIC	IMPERIAL
Hammer length without bit	1497 mm	58.94 in
Weight without bit	312 kg	687.84 lb
Outside diameter of the hammer	Ø225 mm	8.86 in
Top sub thread	API 6 5/8" REG PIN	
Working air pressure range	15-33 bar / 217.6 - 478.6 psi	
Recommended rotary speed	25-50 r/min	
Impact Rate at 17 Bar	20 Hz	
Air consumption	1412.4 cfm @ 261 psi	40 m ³ /min @ 18 bar
	2118.6 cfm @ 348 psi	60 m ³ /min @ 24 bar

10" DTH HAMMER



WNM100R HAMMER



ITEM DESCRIPTION	WEIGHT		PART. NO.
	KG	LB	
1. Top Sub	59.3	130.73	WNM100R-01
2. Make-up Ring	0.9	1.98	WNM100R-03
3. O-ring	0.02	0.04	182.5X3.55/GB3452.1
4. Check Valve	1.6	3.53	WNM100R-02
5. Spring	0.3	0.66	WNM100R-04
6. Air Distributor	11.6	25.57	WNM100R-05
7. Inner Cylinder	11.2	24.7	WNM100R-06
8. Piston	62	136.69	WNM100R-07
9. Wear Sleeve	110.9	244.5	WNM100R-08
10. O-ring for Guide Sleeve	0.02	0.04	170X3.55/GB3452.1
11. Bit Retainer	3.2	7.05	WNM100R-09
12. Chuck	26	57.23	WNM100R-10
Seal Kit 03x1 10X1	Rebuild kit 01x1 09x1 12x1 Seal kit		

BIT SPECIFICATION		
No. of Spines	10	
L (mm)	375	
L (inch)	14.76	
Bit Shank	N100	
Bit Diameter (mm)	Ø245 - Ø350	
Bit Diameter (inch)	10-13 3/4	

SPECIFICATIONS	METRIC	IMPERIAL
Hammer length without bit	1515 mm	59.65 in
Weight without bit	285.4 kg	629.2 lb
Outside diameter of the hammer	Ø225 mm	8.86 in
Top sub thread	API 6 5/8" REG PIN	
Working air pressure range	10-25 bar / 145-363 psi	
Recommended rotary speed	15-35 r/min	
Impact Rate at 17 Bar	20 Hz	
Air consumption	1286 cfm @ 246.6 psi	36 m3/min @ 17 bar
	1818 cfm @ 348 psi	50.9 m2/min @ 24 bar



12" DTH HAMMERS

12" DTH HAMMER



WSD12AR HAMMER

ITEM DESCRIPTION	WEIGHT		PART. NO.
	KG	LB	
1. Top Sub	130	286	WSD12AR-01
2. O-ring	0.01	0.02	218X5.3/GB3452.1
3. Make-up Ring	1	2.20	WSD12AR-02
4. Check Valve	1.6	3.53	WSD12AR-03
5. Spring	0.15	0.33	WSD12AR-04
6. Air Distributor	20.5	45.10	WSD12AR-05
7. Inner Cylinder	28.6	62.92	WSD12AR-06
8. Piston	118	259.60	WSD12AR-07
9. Wear Sleeve	192	422.40	WSD12AR-08
10. Bit Retainer	5.2	11.44	WSD12AR-09
11. O-ring	0.01	0.02	203X5.2/GB3452.1
12. Guide Sleeve	9.8	21.56	WSD12AR-10
13. Chuck	48.6	106.92	WSD12AR-11
Seal Kit 02x1 11X1	Rebuild kit 05x1 09x1 10x1 13x1 Seal kit		

BIT SPECIFICATION		
No. of Spines	8	
L (mm)	470	
L (inch)	18.5	
Bit Shank	SD12	
Bit Diameter (mm)	Ø305 - Ø380	
Bit Diameter (inch)	12-15	



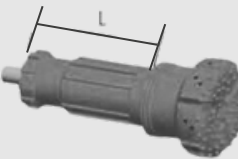
SPECIFICATIONS	METRIC	IMPERIAL
Hammer length without bit	1823 mm	77.71 in
Weight without bit	556 kg	1225.77 lb
Outside diameter of the hammer	Ø270 mm	10.63 in
Top sub thread	API 6 5/8" REG PIN	
Working air pressure range	15-33 bar / 217.6-478.6 psi	
Recommended rotary speed	25-50 r/min	
Impact rate at 17 bar	18 Hz	
Air consumption	1765.5 cfm @ 261 psi	40 m3/min @ 18 bar
	2471.7 cfm @ 348 psi	55 m3/min @ 24 bar

12" DTH HAMMER



WNM120R HAMMER

ITEM DESCRIPTION	WEIGHT		PART. NO.
	KG	LB	
1. Top Sub	101.7	224.2	WNM120R-01
2. Make-up Ring	1.1	2.43	WNM120R-02
3. O-ring	0.02	0.04	218X5.3/GB3452.1
4. Check Valve	2.27	5	WNM120R-03
5. Spring	0.15	0.33	WNM120R-04
6. Air distributor	18.1	39.9	WNM120R-05
7. Inner Cylinder	23.87	52.62	WNM120R-06
8. Piston	91.7	202.16	WNM120R-07
9. Wear Sleeve	192.7	424.8	WNM120R-08
10. Guide Sleeve	10.1	22.05	WNM120R-09
11. O-ring for Guide Sleeve	0.02	0.04	206X5.3/GB3452.1
12. Bit Retainer	5	11.02	WNM120R-10
13. Chuck Ring	1.1	2.43	WNM120R-02
14. Chuck	52.6	115.96	WNM120R-11
Seal Kit 03x1 11X1	Rebuild kit 01x1 09x1 14x1 Seal kit		

BIT SPECIFICATION		
No. of Spines	12	
L (mm)	490	
L (inch)	19.29	
Bit Shank	N120	
Bit Diameter (mm)	Ø305 - Ø380	
Bit Diameter (inch)	12-15	



SPECIFICATIONS	METRIC	IMPERIAL
Hammer length without bit	1680 mm	66.14 in
Weight without bit	501 kg	1104.5 lb
Outside diameter of the hammer	Ø272 mm	10.7
Top sub thread	API 6 5/8" REG PIN	
Working air pressure range	10-25 bar / 145-363 psi	
Recommended rotary speed	15-35 r/min	
Impact Rate at 17 Bar	18 Hz	
Air consumption	1611 cfm @ 261 psi	45.1 m3/min @ 17 bar
	1929 cfm @ 348 psi	54 m3/min @ 24 bar



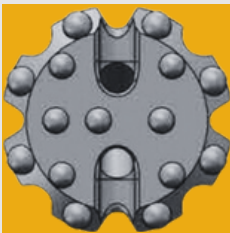
DTH BITS

According to rock formations and other requirements, DTH bits can tailor a drill bit design on bit face shape, shape and distribution of buttons, flushing holes and exhaust holes configurations and etc.



CONVEX-CONCAVE

The face is a combination of convex / concave. It is recommended for soft to medium hard rock fractured formations. Higher productivity.



FLAT

Used for general purpose drilling, the flat face design is considered effective in very broken ground as well as very hard formations.



CONCAVE

It is recommended for soft to hard formations. Concave face design offers good stability in drilling work and help reducing the vibration of the equipment so that the rig can drill straighter holes.



CONVEX

Suitable for most drilling applications, particularly soft, medium hard and abrasive rock to give a combination of speed and good service life.



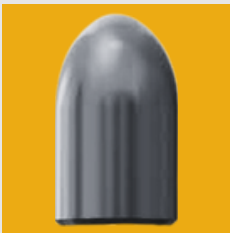
FLAT

Face with double gauge buttons. This design can provide high penetration rate and resist the abrasion during drilling hard formations.



SPHERICAL/HEM/DOMED

Usually as gauge and front buttons for hard abrasive rock and deep hole drilling. Can be used in all applications. It has good wear resistance.



SEMI-BALLISTIC/PARABOLIC

Usually as gauge and front buttons to increase the drilling speed over spherical buttons. Ideal for less abrasive rock where the drilling speed is requested. Not suitable to fracture formation and hard rock.



BALLISTIC/CONICAL

Usually as gauge and front buttons. Suitable for sedimentary and fracture formation.



CYLINDER

Usually as anti-wear buttons on special position like shoulder or hammer's top sub, bit's body etc. which helps prolong the service of the hammer and bit.

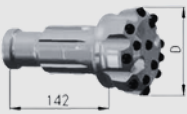
WT SHANK SERIES




WT3 SHANK BIT

	DIAMETER		FLUSHING HOLE	SPINE	GAUGE BUTTON	FRONT BUTTON	LENGTH OF BIT SHANK	WEIGHT	
	mm	inch	No.	No.	No. mm	No. mm	mm	Kg	lb
	Ø90	3 1/2	2	6	6XØ14	6XØ12	130	3.5	7.72
	Ø95	3 3/4	2	6	7XØ12	6XØ12	130	3.95	8.7
	Ø100	3 7/8	2	6	7XØ14	6XØ13	130	4.3	9.5
	Ø105	4 1/8	2	6	7XØ14	6XØ13	130	4.5	9.9

WT4 SHANK BIT

	DIAMETER		FLUSHING HOLE	SPINE	GAUGE BUTTON	FRONT BUTTON	LENGTH OF BIT SHANK	WEIGHT	
	mm	inch	No.	No.	No. mm	No. mm	mm	Kg	lb
	Ø105	4 1/8	2	8	7XØ14	6XØ13	142	6	13.2
	Ø110	4 3/8	2	8	7XØ14	6XØ13	142	6.2	13.7
	Ø115	4 1/2	2	8	7XØ16	6XØ14	142	6.45	14.2
	Ø120	4 3/4	2	8	7XØ16	7XØ14	142	7	15.4
	Ø127	5	2	8	8XØ14	7XØ14	142	7.4	16.3

WT3 SHANK BIT

	DIAMETER		FLUSHING HOLE	SPINE	GAUGE BUTTON	FRONT BUTTON	LENGTH OF BIT SHANK	WEIGHT	
	mm	inch	No.	No.	No. mm	No. mm	mm	Kg	lb
	Ø135	5 3/8	2	8	8XØ14	7XØ14	170	11.5	25.4
	Ø140	5 1/2	2	8	7XØ18	7XØ16	170	12.5	27.6
	Ø146	5 3/4	2	8	8XØ18	7XØ16	170	13	28.7
	Ø152	6	2	8	8XØ18	7XØ16	170	13.2	29.1
	Ø165	6 1/2	2	8	9XØ16	9XØ16	170	14	30.9

WT SHANK SERIES



WT6 SHANK BIT

	DIAMETER		FLUSHING HOLE	SPINE	GAUGE BUTTON	FRONT BUTTON	LENGTH OF BIT SHANK	WEIGHT	
	mm	inch	No.	No.	No. mm	No. mm	mm	Kg	lb
	Ø152	6	2	10	8XØ18	7XØ16	200	18	39.7
	Ø165	6 1/2	3	10	9XØ16	9XØ16	200	19.23	42.4
	Ø171	6 3/4	3	10	9XØ18	11XØ16	200	23	50.7
	Ø190	7 1/2	3	10	9XØ18	10XØ16	200	24	52.9
	Ø203	8	3	10	9XØ18	12XØ18	200	26.8	59.1

WT8 SHANK BIT

	DIAMETER		FLUSHING HOLE	SPINE	GAUGE BUTTON	FRONT BUTTON	LENGTH OF BIT SHANK	WEIGHT	
	mm	inch	No.	No.	No. mm	No. mm	mm	Kg	lb
	Ø203	8	3	16	9XØ18	12XØ18	220	38.6	85.1
	Ø216	8 1/2	3	16	9XØ18	12XØ18	220	43.5	95.9
	Ø241	9 1/2	3	16	12XØ18	17XØ16	220	57.5	126.8
	Ø254	10	2	16	12XØ18	26XØ16	220	60	132.3
	Ø305	12	3	16	12XØ18	24XØ16	220	80.5	177.5



DHD SHANK SERIES



DHD3.5 SHANK BIT

	DIAMETER		FLUSHING HOLE No.	SPINE No.	GAUGE BUTTON No. mm	FRONT BUTTON No. mm	LENGTH OF BIT SHANK mm	WEIGHT	
	mm	inch						Kg	lb
	Ø90	3 1/2	2	6	6XØ14	6XØ12	180	4.7	10/4
	Ø95	3 3/4	2	6	7XØ13	6XØ12	180	4.8	10.6
	Ø100	3 7/8	2	6	7XØ14	6XØ12	180	4.9	10.8
	Ø105	4 1/8	2	6	7XØ14	6XØ13	180	5.3	11.7

DHD340 SHANK BIT

	DIAMETER		FLUSHING HOLE No.	SPINE No.	GAUGE BUTTON No. mm	FRONT BUTTON No. mm	LENGTH OF BIT SHANK mm	WEIGHT	
	mm	inch						Kg	lb
	Ø105	4 1/8	2	8	7XØ14	6XØ13	209	7.667	16.9
	Ø110	4 3/8	2	8	7XØ14	6XØ13	209	8	17.6
	Ø115	4 1/2	2	8	7XØ16	6XØ14	209	8.5	18.7
	Ø120	4 3/4	2	8	7XØ16	7XØ14	209	8.8	19.4
	Ø127	5	2	8	8XØ16	7XØ14	209	9.28	20.5

DHD350 SHANK BIT

	DIAMETER		FLUSHING HOLE No.	SPINE No.	GAUGE BUTTON No. mm	FRONT BUTTON No. mm	LENGTH OF BIT SHANK mm	WEIGHT	
	mm	inch						Kg	lb
	Ø135	5 3/8	2	8	8XØ14	7XØ14	260	15	33.1
	Ø140	5 1/2	2	8	7XØ18	7XØ16	260	15.5	34.2
	Ø146	5 3/4	2	8	8XØ18	7XØ16	260	16.1	35.5
	Ø152	6	2	8	8XØ18	7XØ16	260	16.8	37
	Ø165	6 1/2	3	8	9XØ16	9XØ16	260	18.1	39.9

DHD SHANK SERIES



DHD360 SHANK BIT

	DIAMETER		FLUSHING HOLE No.	SPINE No.	GAUGE BUTTON No. mm	FRONT BUTTON No. mm	LENGTH OF BIT SHANK mm	WEIGHT	
	mm	inch						Kg	lb
	Ø152	6	2	8	8XØ18	7XØ16	309	22	48.5
	Ø165	6 1/2	3	8	9XØ16	9XØ16	309	23.5	51.8
	Ø171	6 3/4	3	8	9XØ18	11XØ16	309	24.8	54.7
	Ø190	7 1/2	3	8	9XØ18	10XØ16	309	27.2	60
	Ø203	8	3	8	9XØ18	12XØ18	309	30.3	66.8

DHD380 SHANK BIT

	DIAMETER		FLUSHING HOLE No.	SPINE No.	GAUGE BUTTON No. mm	FRONT BUTTON No. mm	LENGTH OF BIT SHANK mm	WEIGHT	
	mm	inch						Kg	lb
	Ø203	8	3	10	9XØ18	12XØ18	350	50	110.2
	Ø216	8 1/2	3	10	9XØ18	12XØ18	350	52.2	115.3
	Ø241	9 1/2	3	10	12XØ18	17XØ16	350	57.7	127.2
	Ø254	10	2	10	12XØ18	26XØ16	350	61	134.5
	Ø305	12	3	10	12XØ18	24XØ16	350	79.9	176.1

DHD112 SHANK BIT

	DIAMETER		FLUSHING HOLE No.	SPINE No.	GAUGE BUTTON No. mm	FRONT BUTTON No. mm	LENGTH OF BIT SHANK mm	WEIGHT	
	mm	inch						Kg	lb
	Ø350	13 3/4	3	8	15XØ22	12XØ22 27XØ19	490	170	375
	Ø380	15	3	8	15XØ22	12XØ22 36XØ19	490	183	404
	Ø413	16 1/4	3	8	15XØ22	12XØ22 39XØ19	490	198	437
	Ø420	16 14/25	3	8	15XØ22	12XØ22 42XØ19	490	210	463
	Ø430	16 53/57	3	8	15XØ22	12XØ22 42XØ19	490	220	485
	Ø435	17 3/25	3	8	15XØ22	12XØ22 42XØ19	490	225	496

SD SHANK SERIES



SD6 SHANK BIT

	DIAMETER		FLUSHING HOLE	SPINE	GAUGE BUTTON	FRONT BUTTON	LENGTH OF BIT SHANK	WEIGHT	
	mm	inch	No.	No.	No. mm	No. mm	mm	Kg	lb
	Ø152	6	2	8	8XØ18	7XØ16	324	25.1	55.3
	Ø165	6 1/2	3	8	9XØ16	9XØ16	324	25.8	56.9
	Ø171	6 3/4	3	8	9XØ18	11XØ16	324	26.5	58.4
	Ø190	7 1/2	3	8	9XØ18	10XØ16	324	28.6	63.1
	Ø203	8	3	8	9XØ18	12XØ18	324	30.1	66.4

SD8 SHANK BIT

	DIAMETER		FLUSHING HOLE	SPINE	GAUGE BUTTON	FRONT BUTTON	LENGTH OF BIT SHANK	WEIGHT	
	mm	inch	No.	No.	No. mm	No. mm	mm	Kg	lb
	Ø203	8	3	8	9XØ18	12XØ18	321	40.1	88.4
	Ø216	8 1/2	3	8	9XØ18	12XØ18	321	44.3	97.7
	Ø241	9 1/2	3	8	12XØ18	17XØ16	321	50.3	110.9
	Ø254	10	2	8	12XØ18	26XØ16	321	56.7	125
	Ø305	12	3	8	12XØ18	24XØ16	321	73	160.9



SD SHANK SERIES



SD10 SHANK BIT

	DIAMETER		FLUSHING HOLE	SPINE	GAUGE BUTTON	FRONT BUTTON	LENGTH OF BIT SHANK	WEIGHT	
	mm	inch	No.	No.	No. mm	No. mm	mm	Kg	lb
	Ø254	10	2	8	12XØ18	15XØ18 12XØ16	355	108	238
	Ø276	10 7/8	3	8	15XØ18	15XØ18 12XØ16	355	111	244
	Ø305	12	3	8	15XØ18	15XØ18 15XØ16	355	124.9	275
	Ø330	13	3	8	15XØ18	9XØ18 27XØ16	355	141.6	312
	Ø355	14	3	8	16XØ18	24XØ18 24XØ16	355	151	332

SD12 SHANK BIT

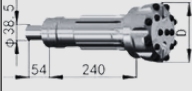
	DIAMETER		FLUSHING HOLE	SPINE	GAUGE BUTTON	FRONT BUTTON	LENGTH OF BIT SHANK	WEIGHT	
	mm	inch	No.	No.	No. mm	No. mm	mm	Kg	lb
	Ø311	12 1/4	3	8	21X18Ø	27XØ16	470	130	286.6
	Ø350	13 3/4	3	8	27XØ18	36XØ18	470	150	330.74
	Ø381	15	4	8	28XØ19	20XØ19 24XØ16	470	180	396.8
	Ø430	16 14/15	4	8	28XØ19	53XØ19	470	225	496
	Ø445	17 7/15	4	8	28XØ19	55XØ19	470	235	518.1



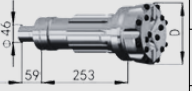
QL SHANK SERIES



QL50 SHANK BIT

	DIAMETER		FLUSHING HOLE	SPINE	GAUGE BUTTON	FRONT BUTTON	LENGTH OF BIT SHANK	WEIGHT	
	mm	inch	No.	No.	No. mm	No. mm	mm	Kg	lb
	Ø135	5 3/8	2	12	8XØ14	7XØ14	240	14	30.9
	Ø140	5 1/2	2	12	7XØ18	7XØ16	240	14.7	32.4
	Ø146	5 3/4	2	12	8XØ18	7XØ16	240	15.6	34.4
	Ø152	6	2	12	8XØ18	7XØ16	240	15.7	34.6
	Ø165	6 1/2	3	12	9XØ16	9XØ16	240	18	39.7

QL60 SHANK BIT

	DIAMETER		FLUSHING HOLE	SPINE	GAUGE BUTTON	FRONT BUTTON	LENGTH OF BIT SHANK	WEIGHT	
	mm	inch	No.	No.	No. mm	No. mm	mm	Kg	lb
	Ø152	6	2	12	8XØ18	7XØ16	253	21.7	47.8
	Ø165	6 1/2	3	12	9XØ16	9XØ16	253	23.66	52
	Ø171	6 3/4	3	12	9XØ18	11XØ16	253	24.8	54.7
	Ø190	7 1/2	3	12	9XØ18	10XØ16	253	26.1	57.5
	Ø203	8	3	12	9XØ18	12XØ18	253	30.6	67.5

QL80 SHANK BIT

	DIAMETER		FLUSHING HOLE	SPINE	GAUGE BUTTON	FRONT BUTTON	LENGTH OF BIT SHANK	WEIGHT	
	mm	inch	No.	No.	No. mm	No. mm	mm	Kg	lb
	Ø203	8	3	16	9XØ18	12XØ18	331	48.2	106.3
	Ø216	8 1/2	3	16	9XØ18	12XØ18	331	54.3	119.7
	Ø241	9 1/2	3	16	12XØ18	17XØ16	331	59.5	131.2
	Ø254	10	2	16	12XØ18	26XØ16	331	65.8	145.1
	Ø305	12	3	16	12XØ18	24XØ16	331	83.5	184.1

NUMA TYPE SHANK SERIES



N100 SHANK BIT

	DIAMETER		FLUSHING HOLE	SPINE	GAUGE BUTTON	FRONT BUTTON	LENGTH OF BIT SHANK	WEIGHT	
	mm	inch	No.	No.	No. mm	No. mm	mm	Kg	lb
	Ø254	10	2	10	12XØ18	24XØ16	375	866.87	191.5
	Ø305	12	3	10	12XØ18	24XØ16	375	105.5	232.6
	Ø311	12 1/4	4	10	12XØ18	36XØ16	375	108	238.1
	Ø325	12 3/4	4	10	12XØ19	38XØ16	375	110	242.5

N120 SHANK BIT

	DIAMETER		FLUSHING HOLE	SPINE	GAUGE BUTTON	FRONT BUTTON	LENGTH OF BIT SHANK	WEIGHT	
	mm	inch	No.	No.	No. mm	No. mm	mm	Kg	lb
	Ø305	12	3	12	15XØ18	36XØ16	490	152	335.1
	Ø311	12 1/4	4	12	15XØ18	36XØ16	490	158	348.3
	Ø325	12 3/4	4	12	16XØ18	42XØ16	490	162	357.1
	Ø355	14	4	12	16XØ19	48XØ16	490	178	392.4
	Ø380	15	4	12	16XØ19	48XØ16	490	195	429.9


N125 SHANK BIT

	DIAMETER		FLUSHING HOLE	SPINE	GAUGE BUTTON	FRONT BUTTON	LENGTH OF BIT SHANK	WEIGHT	
	mm	inch	No.	No.	No. mm	No. mm	mm	Kg	lb
	Ø400	15 3/4	4	10	16XØ20	12XØ20 55XØ18	490	260	573.2
	Ø425	16 3/4	4	10	16XØ20	12XØ20 61XØ18	490	270	595
	Ø445	17 1/2	4	10	16XØ20	12XØ19 67XØ18	490	280	617.3
	Ø475	18 3/4	4	10	16XØ20	12XØ19 71XØ18	490	309	681
	Ø500	19 5/8	4	10	16XØ20	12XØ19 72XØ18	490	338	745
	Ø525	20 5/8	4	10	24XØ20	20XØ19 100XØ18	490	365	804.7


MISSION TYPE SHANK SERIES



M40 SHANK BIT

	DIAMETER		FLUSHING HOLE	SPINE	GAUGE BUTTON	FRONT BUTTON	LENGTH OF BIT SHANK	WEIGHT	
	mm	inch	No.	No.	No. mm	No. mm	mm	Kg	lb
	Ø105	4 1/8	2	12	7XØ14	6XØ13	228	7.6	16.8
	Ø110	4 3/8	2	12	7XØ14	6XØ13	228	7.9	17.4
	Ø115	4 1/2	2	12	7XØ16	6XØ14	228	8.3	18.3
	Ø120	4 3/4	2	12	7XØ16	7XØ14	228	8.4	18.5
	Ø127	5	2	12	8XØ16	7XØ14	228	8.8	19.4

M50 SHANK BIT

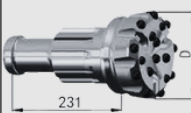
	DIAMETER		FLUSHING HOLE	SPINE	GAUGE BUTTON	FRONT BUTTON	LENGTH OF BIT SHANK	WEIGHT	
	mm	inch	No.	No.	No. mm	No. mm	mm	Kg	lb
	Ø135	5 3/8	2	12	8XØ16	7XØ14	260	13	28.7
	Ø140	5 1/2	2	12	7XØ18	7XØ16	260	13.1	28.9
	Ø146	5 3/4	2	12	8XØ18	7XØ16	260	14	30.9
	Ø152	6	2	12	8XØ18	7XØ16	260	15.2	33.5
	Ø165	6 1/2	3	12	9XØ16	9XØ16	260	16.36	36.1



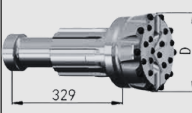
MISSION SHANK SERIES



M60 SHANK BIT

	DIAMETER		FLUSHING HOLE	SPINE	GAUGE BUTTON	FRONT BUTTON	LENGTH OF BIT SHANK	WEIGHT	
	mm	inch	No.	No.	No. mm	No. mm	mm	Kg	lb
	Ø152	6	2	12	8XØ18	7XØ16	231	19	41.9
	Ø165	6 1/2	3	12	9XØ16	9XØ16	231	20.2	44.5
	Ø171	6 3/4	3	12	9XØ18	11XØ16	231	21.9	48.3
	Ø190	7 1/2	3	12	9XØ18	10XØ18	231	22.9	50.5
	Ø203	8	3	12	10XØ18	12XØ18	231	28.2	62.2

M80 SHANK BIT


	DIAMETER		FLUSHING HOLE	SPINE	GAUGE BUTTON	FRONT BUTTON	LENGTH OF BIT SHANK	WEIGHT	
	mm	inch	No.	No.	No. mm	No. mm	mm	Kg	lb
	Ø203	8	3	12	9XØ18	12XØ18	329	41.1	90.6
	Ø216	8 1/2	3	12	9XØ18	12XØ18	329	43.36	95.6
	Ø241	9 1/2	3	12	12XØ18	17XØ16	329	52.9	116.6
	Ø254	10	2	12	12XØ18	26XØ16	329	56.8	125.2
	Ø305	12	3	12	12XØ18	24XØ16	329	72	158.7



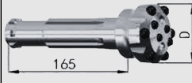
BR SHANK SERIES



BR1 SHANK BIT

	DIAMETER		FLUSHING HOLE No.	SPINE No.	GAUGE BUTTON No. mm	FRONT BUTTON No. mm	LENGTH OF BIT SHANK mm	WEIGHT	
	mm	inch						Kg	lb
	Ø64	2 1/2	2	6	6XØ10	4XØ9	163	2.6	5.7
	Ø70	2 3/4	2	6	6XØ11	4XØ10	163	2.8	6.2
	Ø76	3	2	6	6XØ12	5XØ10	163	3.2	7.1

BR2 SHANK BIT

	DIAMETER		FLUSHING HOLE No.	SPINE No.	GAUGE BUTTON No. mm	FRONT BUTTON No. mm	LENGTH OF BIT SHANK mm	WEIGHT	
	mm	inch						Kg	lb
	Ø76	3	2	6	6XØ12	4XØ10	165	3.6	7.9
	Ø80	3 1/8	2	6	6XØ13	4XØ12	165	4	8.8
	Ø90	3 1/2	2	6	6XØ14	4XØ12	165	4.2	9.3


BR3 SHANK BIT

	DIAMETER		FLUSHING HOLE No.	SPINE No.	GAUGE BUTTON No. mm	FRONT BUTTON No. mm	LENGTH OF BIT SHANK mm	WEIGHT	
	mm	inch						Kg	lb
	Ø90	3 1/2	2	6	6XØ14	5XØ12	165	4	8.8
	Ø95	3 3/4	2	6	6XØ14	5XØ12	165	4.3	9.5
	Ø100	4	2	6	6XØ14	6XØ12	165	4.8	10.6
	Ø105	4 1/8	2	6	7XØ14	6XØ12	165	5.2	11.5


OTHER SHANK SERIES



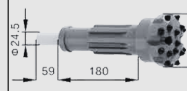
COP32 SHANK BIT

	DIAMETER		FLUSHING HOLE No.	SPINE No.	GAUGE BUTTON No. mm	FRONT BUTTON No. mm	LENGTH OF BIT SHANK mm	WEIGHT	
	mm	inch						Kg	lb
	Ø90	3 1/2	2	8	7XØ13	6XØ12	214	4.6	10.12
	Ø92	3 5/8	2	8	7XØ13	6XØ12	214	4.7	10.34
	Ø102	4	2	8	8XØ13	7XØ12	214	5.1	11.22

COP34 SHANK BIT

	DIAMETER		FLUSHING HOLE No.	SPINE No.	GAUGE BUTTON No. mm	FRONT BUTTON No. mm	LENGTH OF BIT SHANK mm	WEIGHT	
	mm	inch						Kg	lb
	Ø90	3 1/2	2	8	8XØ11	6XØ11	245	5.2	11.44
	Ø92	3 5/8	2	8	8XØ12	6XØ12	245	5.3	11.66
	Ø95	3 3/4	2	8	8XØ12	6XØ12	245	5.4	11.88
	Ø100	4	2	8	8XØ12	7XØ12	245	5.6	12.32
	Ø105	4 1/8	2	8	8XØ12	8XØ12	245	5.7	12.54

MD3.5 SHANK BIT

	DIAMETER		FLUSHING HOLE No.	SPINE No.	GAUGE BUTTON No. mm	FRONT BUTTON No. mm	LENGTH OF BIT SHANK mm	WEIGHT	
	mm	inch						Kg	lb
	Ø90	3 1/2	2	8	7XØ12	6XØ12	181	4.9	10.78
	Ø95	3 3/4	2	8	7XØ13	6XØ12	181	5	11
	Ø100	4	2	8	6XØ16	6XØ12	181	6.2	13.64
	Ø102	4	2	8	8XØ12	7XØ12	181	6.4	14.08

OTHER SHANK SERIES



COPROD89 SHANK BIT

	DIAMETER		FLUSHING HOLE	SPINE	GAUGE BUTTON	FRONT BUTTON	LENGTH OF BIT SHANK	WEIGHT	
	mm	inch	No.	No.	No. mm	No. mm	mm	Kg	lb
	Ø105	4 1/8	3	8	9XØ13	7XØ13	384	8.71	19.16
	Ø110	4 5/16	3	8	9XØ14	6XØ14	384	9.4	20.68
	Ø115	4 1/2	3	8	9XØ14	6XØ14	384	9.68	21.30
	Ø127	5	3	8	9XØ14	10XØ14	384	10.36	22.79

TD40/QLX40 SHANK BIT

	DIAMETER		FLUSHING HOLE	SPINE	GAUGE BUTTON	FRONT BUTTON	LENGTH OF BIT SHANK	WEIGHT	
	mm	inch	No.	No.	No. mm	No. mm	mm	Kg	lb
	Ø115	4 1/2	2	12	8XØ16	7XØ13	209	10	22.00
	Ø127	5	2	12	8XØ16	7XØ14	209	11.8	25.96
	Ø130	5 1/8	2	12	9XØ14	9XØ13	209	12.3	27.06
	Ø140	5 1/2	2	12	9XØ16	10XØ14	209	12.8	28.16



We will cater our service to the needs of your company.

We are committed to catering to each client's specific needs, offering the flexibility to discuss and arrange dedicated stock on a case-by-case basis.

Our team excels in tailoring solutions to meet unique project requirements, ensuring that every client receives exactly what they need.

With a focus on personalised service and adaptability, we are dedicated to providing customised solutions that align precisely with your unique business and project demands.



Connect with us for a personalised service.

Reach out to be assigned your dedicated account manager, ready to assist with all your project needs:

Tel: +371 200 20 375

E-mail: info@pilecritter.com

www.pilecritter.com



 **PILE**
CRITTER